

Version	2.0	Date	8/9/18
Prepared By	JC		

**PRODUCT SPECIFICATION**

<b>Category</b>	Slim Canopy
<b>Item Number</b>	9421
<b>Stock Code</b>	FX10SCM42/850/WH
<b>Mounting</b>	Ceiling
<b>Housing Color</b>	White



ELECTRICAL CHARACTERISTICS			
Rated Wattage (W)	42	Replacement Wattage (W)	175
Tested Wattage (W)	41.42		
Input Voltage (V)	120-277V	Surge Protect Level	4KV
Voltage Frequency (Hz)	50/60	Dimmable	1-10V
Input Current (A)	0.42	AUX (12V) Line	-
Power Factor	>0.9		
THD	<20%		

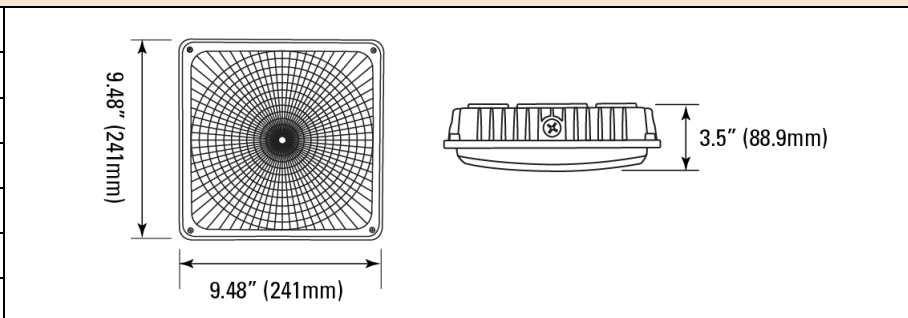
PHOTOMETRIC CHARACTERISTICS			
Lumen (lm)	5,638	CCT (K)	5000K
Efficacy (lm/w)	136	Beam Angle (°)	160°
CRI	>80		

GENERAL CHARACTERISTICS	
Operating Temperature (°F)	-40°F ~ 122°F
Storage Temperature (°F)	-40°F ~ 140°F
IP Rating	IP65
Rated Life (Hrs)	50,000
Warranty (Yrs)	5

ACCESSORIES		
Item #	Stock Code	Description
7336	BAEM4-60BC/MV-A	4W LED Emergency Driver
P10234	SEN-MC605V-D	Motion Sensor
P10036	SEN-PHO-SBT-MT/MV	Photocell Sensor

**PRODUCT DIMENSIONS**

Width- in / (mm)	9.48"      241
Height- in / (mm)	3.50"      88.9
Depth- in / (mm)	9.48"      241
EPA (ft²)	-
Weight (lbs)	5.1
Mounting Height (ft)	-
Cable Length (ft)	-



CERTIFICATIONS			
UL/ETL	ETL/cETL	CEC	
NSF/ETL Sanitation		JA8	
Energy Star		FCC	✓
DLC	5.1 Premium	RoHs	✓

DOCUMENTS			
LM79	✓	IES File	✓
LM80	✓	Dimmer List	

**COMMENTS**

--